

(12) INTERNATIONAL APPLICATION PUBLISHED UNDER THE PATENT COOPERATION TREATY (PCT)

(19) World Intellectual Property Organization  
International Bureau



(43) International Publication Date  
5 April 2001 (05.04.2001)

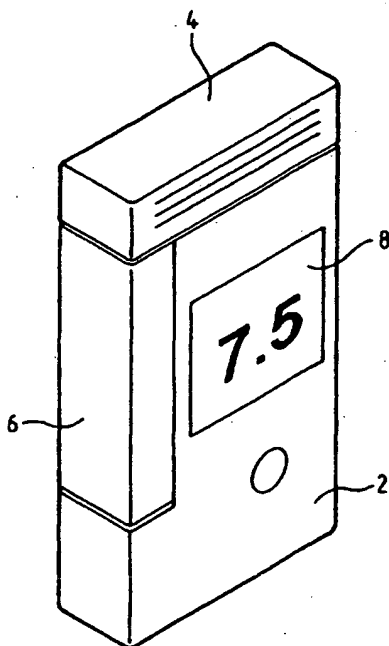
PCT

(10) International Publication Number  
WO 01/23885 A1

- (51) International Patent Classification<sup>7</sup>: G01N 33/487, 27/26, 27/416, 27/56
- (21) International Application Number: PCT/GB99/03004
- (22) International Filing Date:  
27 September 1999 (27.09.1999)
- (25) Filing Language: English
- (26) Publication Language: English
- (71) Applicant (for all designated States except US): HYPOGUARD LIMITED [GB/GB]; Dock Lane, Melton, Woodbridge, Suffolk IP12 IPE (GB).
- (72) Inventors; and
- (75) Inventors/Applicants (for US only): BLACK, Murdo, M. [GB/GB]; The Rectory, Hill Farm Road, Playford, Ipswich, Suffolk IP6 9DT (GB). ALTON, Robin [GB/GB]; 10 Elmbridge, Harlow, Essex CM17 0JU (GB).
- (74) Agents: GEMMELL, Peter, Alan et al.; Dummett Copp, 25 The Square, Martlesham Heath, Ipswich IP5 3SL (GB).
- (81) Designated States (national): AE, AL, AM, AT, AU, AZ, BA, BB, BG, BR, BY, CA, CH, CN, CR, CU, CZ, DE, DK, DM, EE, ES, FI, GB, GD, GE, GH, GM, HR, HU, ID, IL, IN, IS, JP, KE, KG, KP, KR, KZ, LC, LK, LR, LS, LT, LU, LV, MD, MG, MK, MN, MW, MX, NO, NZ, PL, PT, RO, RU, SD, SE, SG, SI, SK, SL, TJ, TM, TR, TT, TZ, UA, UG, US, UZ, VN, YU, ZA, ZW.
- (84) Designated States (regional): ARIPO patent (GH, GM, KE, LS, MW, SD, SL, SZ, TZ, UG, ZW), Eurasian patent (AM, AZ, BY, KG, KZ, MD, RU, TJ, TM), European patent (AT, BE, CH, CY, DE, DK, ES, FI, FR, GB, GR, IE, IT, LU, MC, NL, PT, SE), OAPI patent (BF, BJ, CF, CG, CI, CM, GA, GN, GW, ML, MR, NE, SN, TD, TG).
- Published:  
— With international search report.

For two-letter codes and other abbreviations, refer to the "Guidance Notes on Codes and Abbreviations" appearing at the beginning of each regular issue of the PCT Gazette.

(54) Title: TEST DEVICE



(57) Abstract: A test device for testing of analyte concentration in a fluid to be applied thereto comprises: a plurality of sensors (10) on a reel (16), each of said sensors carrying reagent means for producing an electrical signal in response to the concentration of analyte in an applied fluid, and each of said sensors having a plurality of electrodes (42), corresponding electrodes of adjacent sensors being connected together by a conductive track (38) on the reel (16); and a meter comprising electronics means (18, 8) for producing a signal output which is dependent on the electrical signal from the said sensors (10), the meter having contacts (44) which are electrically connected with the said conductive tracks (38).

WO 01/23885 A1

## TEST DEVICE

## BACKGROUND OF THE INVENTION

## 5 1. Field of the Invention

The present invention relates to a test device for measuring the concentration of an analyte in a fluid sample, notably to a test device for analysing blood  
10 glucose or other analytes in bodily fluids.

## 2. Description of the Prior Art

Diabetics regularly need to test samples of their blood  
15 to determine the level of blood glucose. The results of such tests may be used to determine levels of medication needed to treat the diabetes at the time. In one known type of system, disposable sensors are used to test the blood. The sensors typically take the  
20 form of test strips which are provided with a reagent material that will react with blood glucose to produce an electrical signal. Conductive tracks on the test strip relay the electrical signal to a meter which displays the result. After a sample of blood has been  
25 applied to the test strip and the measurement has been taken, the test strip is disposed of. In order to couple the conductive tracks on a test strip with the meter, the test strip needs to be inserted into a sensor holder prior to the start of testing. The  
30 sensor holder has corresponding mating electrodes which are brought into electrical contact with the conductive tracks of the test strip. Test devices are known in which a plurality of test strip are provided on a cartridge disc. Each strip is housed in its own sensor  
35 slot, and means are provided to eject a test strip from its slot when required, and to automatically locate it

in a sensor holder. Examples of test devices with test strip dispensers are described in US Patent No. 5,660,791, European Patent Application No. 0 732 590, and European Patent Application No. 0 738 666. The  
5 dispensing devices are relatively complex in construction.

International Patent Application No. WO 98/19159 describes a test device which includes a set of test  
10 strips and calibration means corresponding to the test strips. The device includes a docking portion which has a sensor holder for engaging a test strip when a reading is to be taken, and the calibration means removes the need for the user to carry out manual  
15 calibration. The device does not automatically locate the test strip in the docking portion, which job is carried out by the user.

It is known from International Patent Application No. WO 99/05966, to provide a test device in which a single  
20 test member is re-usable and permanently secured to at least a part of the meter. It is necessary to clean the test member after use before it can be reliably re-used.

25

#### SUMMARY OF THE INVENTION

According to an aspect of the present invention there is provided a test device for testing of analyte  
30 concentration in a fluid to be applied thereto, the device comprising:

a plurality of sensors on a reel, each of said sensors carrying reagent means for producing an electrical signal in response to the concentration of  
35 analyte in an applied fluid, and each of said sensors having a plurality of electrodes, corresponding

electrodes of adjacent sensors being connected together by a conductive track on the reel; and

5 a meter comprising electronics means for producing a signal output which is dependent on the electrical signal from the said sensors, the meter having contacts which are electrically connected with the said conductive tracks.

10 By providing the sensors on a reel, with corresponding electrodes of adjacent sensors connected together, application of a fluid sample to any sensor will produce an electrical signal which will be displayed by the meter. The reel may be advanced by a pre-set distance after each sample reading is taken to provide 15 a fresh sensor at a pre-determined test area, and the used sensor may be cleaned or otherwise treated to prevent or reduce its generation of electrical signals.

20 The device can be simple in construction and does not require the user to clean sensors or to position them in a docking portion.

In a preferred embodiment, separating means are provided to separate a used sensor from one end of the 25 reel before a subsequent measurement is taken. Separation may be achieved by any suitable means, for example by cutting, tearing, punching, or a combination of these means. For convenience hereinafter, the invention will be described with reference to the use 30 of cutting means to cut a used test strip off from the end of the reel.

Any suitable means may be used to advance the reel, for example a sprocket drive or a friction drive. The reel 35 may simultaneously advanced and cut, or the advance of the reel and the cutting of the reel may take place at

different times. In a particularly preferred embodiment, the test area at which a sample of fluid is to be applied to a sensor is in a housing which has a lid. Opening or closing of the lid causes the reel to advance to locate a fresh sensor in the test area. It is preferred that closing of the lid causes indexing of the reel and also causes the end of the reel which carries a used sensor to be cut off.

5

10 Used sensors which are cut off from the reel may be discarded. Alternatively, a space may be provided in the housing for receiving and retaining sensors which have been cut from the reel. The cut sensors may be permanently stored in the housing or they may be

15 emptied out from time to time. The area where cut sensors are stored in the housing may optionally be provided with an anti-bacterial agent to reduce odours.

To facilitate hygienic disposal of used sensors, a removable container may be provided in the housing to

20 receive cut sensors. The removable container may be disposed of and replaced by a new removable container, or it may be emptied, cleaned and replaced in the housing. Used sensors may be placed in the housing by hand, or they may be placed in the housing

25 automatically.

For simplicity, it is preferred that the contacts of the meter are permanently in contact with the conductive tracks on the reel, and hence with the electrodes of the sensor in the test area. However, it would be possible for the meter contacts to be movable away from contact with the conductive tracks when a reading is not being taken. Because the contacts of the meter are always in contact with the conductive tracks when a reading is being taken, there is no need to locate a sensor in a sensor holder. Electrical

30

35

connections may be permanently made to the tail of the reel, or sliding contacts may be used at any location before the test area.

5 The reel may be wound in a coil or drum, or it may be in a serpentine configuration wherein the reel alternately loops in one direction and then in an opposite direction. The serpentine configuration may have the benefit of reducing memory effects in the  
10 substrate of the test strips.

The reel may be formed from any suitable material, for example polyester, polyamide, PES, PEEK, PVC or the like. Other suitable materials will be well known to  
15 those skilled in the art.

Each sensor may carry all of the electrodes and reagents on one surface. However the reel may optionally be printed on both sides, using printing  
20 through holes for electrical connections between the surfaces.

Any convenient number of sensors may be provided on the reel, for example, 50, 75 or 100 sensors.

25 The test device may be disposed of after the sensors on the reel have been used up. However, it is preferred that the reel (or the remains of the reel) is removable and replaceable, so that the test device may be re-  
30 used.

## BRIEF DESCRIPTION OF THE DRAWING

The invention will now be further described, by way of example, with reference to the following drawing in  
5 which:

10 Figure 1 is a perspective view of a test device in accordance with the present invention, with the lid closed;

Figure 2 is a perspective view of the test device of Figure 1 with the lid open;

15 Figure 3 is a part vertical-section view of the test device of Figure 1;

Figure 4 is sectional view through part of the device of Figure 1, with the lid open;

20 Figure 5 is a sectional view corresponding to Figure 4, with the lid closed;

25 Figure 6 is a part sectional view of part of an alternative embodiment of a test device in accordance with the invention, showing the sensor cutter in a non-cutting position;

30 Figure 7 is a part sectional view corresponding to that of Figure 6, of another alternative embodiment of a test device in accordance with the invention;

35 Figure 7a is a sectional view of part of the device of Figure 7, showing an optional arrangement of the reel;

5 Figure 8 is a plan view of part of a reel suitable for use in a test device in accordance with the invention;

Figure 9 is a plan view similar to Figure 8 of an alternative embodiment of the reel;

10 Figure 10 is a plan view similar to Figure 8 of a further alternative embodiment of the reel;

15 Figures 11 to 13 are schematic representations of alternative embodiments of test devices in accordance with the invention; and

20 Figure 14 is a partial sectional view of a further alternative embodiment of the present invention, showing an arrangement for cutting and storing strips from a reel.

#### DETAILED DESCRIPTION OF THE DRAWING

25 The test device shown in Figure 1 comprises a housing 2 which has a lid 4 connected thereto by a hinge. The housing 2 has a display 8 for displaying an output of a test reading. Without limiting the invention in any way, the dimensions of the housing illustrated are  
30 about 90 mm by 50 mm by 15 mm.

A sensor cutting member 6 is mounted on the housing 2. The sensor cutting member 6 is urged upwards by spring means (not shown) to an extended position as shown in  
35 Figure 2. When the lid 4 is closed it pushes the sensor cutting member 6 downwards to a retracted



position as shown in Figure 1. The sensor cutting member 6 is provided with a blade 28 along its top inside edge which severs any sensor 10 which is disposed beneath the blade 28 when the lid 4 is closed.

5

A sensor (test strip) 10, part of a reel 16 as shown in Figure 3, is disposed through a guide member 12 and is exposed in a test area to permit a blood sample to be applied to it. As will be explained presently, closing of the lid 4 causes the reel 16 to advance so that a used sensor 10' is disposed under the blade 28 for cutting and a fresh sensor 10 is exposed in the test area. Cut sensors 10' are collected in a container 34 in the housing 2.

15

In this example, the reel 16 is made from 100 to 125  $\mu\text{m}$  thick polyester tape. As shown in Figure 3 the reel 16 follows a path within the housing 2 from a spool 36 via a guide wheel 26 and ratchet wheel 22 to the test area at the top of the housing before the blade 28. Other arrangements and paths could of course be used and are within the scope of the invention. Sprocket holes 40 in the tape are engaged by sprockets 24 on the ratchet wheel 22 so that turning of the wheel 22 in a counter-clockwise direction as viewed in Figure 3 advances the reel 16. Sprocket holes could of course alternatively, or additionally, be provided along each edge of the tape in a well-known manner.

20

25

The reel 16 could be provided as a removable cartridge which is loaded in the housing in the manner of loading a film in a camera, and it is within the scope of the invention to provide a motorised winding mechanism in the housing 2 for indexing the reel through the housing.

30

35

Electronic signal processing means 18 are maintained in electrical contact with outer conductive tracks 38 on the reel 16 by means of contacts 44 in a connector 20, as best shown in Figure 8. Spring biasing means may be employed to help keep the contacts 44 permanently in contact with the reel 16. The reel 16 in Figure 8 has sprocket holes 40 around which the central conductive track is locally disposed. With this arrangement, the central contact 44 will be in electrical contact with the central conductive track only intermittently, when the central contact does not overlie a sprocket hole 40. It is therefore preferred that the path length between the test area and the contacts 44 is selected so that all three contacts 44 are in contact with all three conductive tracks 38 when a test strip 10 is ready for use in the test area. This limitation may be avoided by the use of edge sprockets instead of central sprockets, or notches 46 in the edge of the reel 16 as shown in Figure 9. The notches 46 are engaged by suitable sprockets and provide points of weakness where the reel may be cut or torn. Figure 10 illustrates a two-electrode reel 16 with non-circular sprocket holes 40. This system does not, of course, require a third (central) contact. Lines of weakness 41 are provided in the reel to facilitate tearing off of used sensors.

The signal processing electronics 18 are of course also connected to the display 8 for displaying an output which corresponds to the concentration of analyte (for example glucose) in a fluid sample (for example blood) applied to a sensor 10 at the test area. The signal processing means 18 and the display 8 together comprise the meter which produces a signal output which is dependent on the electrical signal from the sensors 10.

35

Each sensor 10 (an example of which is shown in Figure

8 between broken lines) comprises a pair of electrodes  
42, one of which functions as a working electrode and  
the other of which is a dummy electrode. A central  
conductive track 38 functions as a reference/counter  
5 electrode.

The reel 16 has 100 sensors 10, all of which sensors  
are connected together by means of the conductive  
tracks 38, so that application of an analyte in a fluid  
10 sample to any sensor 10 on the reel 16 will produce an  
electrical signal which is sensed by the signal  
processing means 18. Since fluid samples are applied  
only at the test area, which is a fixed distance from  
the point of contact of the conductive tracks 38 with  
15 the contacts 44, the signal processing means may  
readily be calibrated to produce a display output which  
corresponds to the concentration of analyte in an  
applied sample, taking into account factors such as the  
resistance of the tracks between the two points.

20 Referring now to Figures 4 and 5, a mechanism for  
indexing the reel 16 forward is illustrated. The  
ratchet wheel 22 has a plurality of ratchet teeth 32  
radially disposed about one face. The hinged lid 4 is  
25 provided with a pawl 30 which is pivotally attached  
such that the act of closing the lid 4 causes the head  
of the pawl 30 to engage with and move a ratchet tooth  
32, thereby causing the wheel 22 to move counter-  
clockwise as viewed in the drawings and advance the  
30 reel 16 by a distance corresponding to one sensor 10.  
Fully closing the lid 4 then causes the cutting blade  
28 on the sensor cutter 6 to cut off a used sensor 10'  
as previously described. When the lid 4 is opened, the  
pawl 30 drops back to the position shown in Figure 7,  
35 without moving the wheel 22, and the indexing process  
can then be repeated.

In the embodiment shown in Figure 6, separate mechanisms are provided for advancing and for cutting the reel 16. Sprockets 24 are pushed counter-clockwise as shown in Figure 6 by a pushing member 50 which projects inwardly from a trigger 48 which is pivotally mounted in the housing. Pressure from a user's finger on the trigger 48 depresses the trigger and indexes the reel 16 forward by a distance equal to the length of one sensor 10. The trigger is biased by a spring (not shown) to return the trigger to a rest position at which it may again be depressed to index the reel by the same distance. After indexing the reel 16 once, and taking a sample reading, the user can cut the used sensor 10 from the reel 16 by pressing on a spring-biased sensor cutting member 6 so that a blade 28 cuts the reel.

Figure 7 shows another embodiment, in which the sprocket wheel 22 is provided with a drive wheel 52 whereby turning the drive wheel turns the sprocket wheel. A pawl 30 is pivotally connected to the lower portion of a lid 4 which has a central pivot 54. When a user fully depresses the lower part of the lid 4, the pawl 30 pushes a ratchet tooth 32 on the drive wheel 52 to index the reel by the length of one sensor. After taking a sample reading, the user pushes the upper part of the lid 4 so that a blade 28 cuts the used sensor from the reel 16. A notch or die 56 is provided in a surface under the reel 16 and co-operates with the blade 28 to aid cutting or tearing of the sensor 10.

Figure 7a shows an optional arrangement for storing the reel 16 on a rotatable drum 60. The tail of the reel 16 is fixed to a core 58. Electrical contacts (not shown) on the core 58 are permanently connected to the

- 12 -

conductive tracks on the reel 16. As the reel is advanced by the sprocket drive, it unwinds from the outside of the rotatable drum 60. The tail end of the reel unwinds inside the drum, from a small radius around the fixed core to a larger radius, with fewer  
5 turns.

Referring now to Figure 14, another alternative arrangement is shown, similar to the feeding and  
10 cutting mechanism shown in Figure 7. Opening the lid 4 (Figure 14a) turns the ratchet wheel 22 and moves a fresh sensor into the test area. Closing the lid (Figure 14a) cuts off the used sensor by means of a blade 28, and the used sensor 10' drops into a waste  
15 container 34. The container 34 has one or more antibacterial agents to reduce odours.

The device shown schematically in Figure 11 is a fully integrated unit which is disposed of when used. The  
20 unit comprises a PCB with signal processing electronics 18, a display 8, a battery 66, an optional waste sensor container 34, a reel storage area 62 and a feed mechanism 22 (optionally with a sensor detaching mechanism). The device of Figure 12 has the same  
25 component elements, but the reel is stored in a cassette or cartridge 64 which is removable. The reel may be wound on to the feed mechanism 22 automatically by a feed mechanism powered by the battery, or manually, in the manner of a camera wind-on mechanism.

30  
The device shown in Figure 13 features a cassette system in which both the reel storage area 62 and the feed mechanism 22 (and optionally the cutting mechanism) are housed in the cassette 64. Optionally,  
35 the cassette 64 could also house the used sensors. The waste sensor container 34 could be provided with a

take-up spool on which would be wound the reel 16 after use.

Although the invention has been described with  
5 reference to various embodiments, these embodiments are  
not intended to be limiting. It will be apparent to  
those skilled in the art that modifications thereto can  
be made without departure from the spirit and scope of  
the invention as set forth in the following claims.

10

## CLAIMS

1. A test device for testing of analyte concentration  
in a fluid to be applied thereto, the device  
5 comprising:  
a plurality of sensors on a reel, each of said  
sensors carrying reagent means for producing an  
electrical signal in response to the concentration of  
analyte in an applied fluid, and each of said sensors  
10 having a plurality of electrodes, corresponding  
electrodes of adjacent sensors being connected together  
by a conductive track on the reel; and  
a meter comprising electronics means for producing  
a signal output which is dependent on the electrical  
15 signal from the said sensors, the meter having contacts  
which are electrically connected with the said  
conductive tracks.
2. A test device as claimed in claim 1, wherein the  
20 meter has contacts which are permanently connected to  
the said conductive tracks.
3. A test device as claimed in claim 1 or claim 2,  
further including separating means for separating a  
25 used sensor from one end of the reel.
4. A test device as claimed in claim 3, wherein the  
separating means comprises cutting means for cutting  
the reel.
- 30 5. A test device as claimed in claim 3 or claim 4,  
wherein a sensor is exposed to permit application of a  
fluid sample at a test area which is within a housing,  
the housing having a lid which can be moved to cover  
35 the test area.

6. A test device as claimed in claim 5, wherein moving the lid from an open position to a closed position causes the reel to advance to locate a fresh sensor in the test area.
- 5
7. A test device as claimed in claim 5 or claim 6, wherein closure of the lid causes the separating means to operate to separate a used sensor from one end of the reel.
- 10
8. A test device as claimed in claim 6, wherein movement of the lid causes the reel to advance by means of a ratchet mechanism.
- 15
9. A test device as claimed in claim 5, wherein the lid is pivotally mounted in relation to the housing, pivoting of the lid in one direction causing the reel to advance so that a fresh sensor is presented in the test area, and pivoting of the lid in another direction
- 20
- causing separation of that sensor from the end of the reel.
- 25
10. A test device as claimed in any one of the preceding claims, wherein the reel is wound around a rotatable drum.
- 30
11. A test device as claimed in any one of claims 5 to 10, wherein a container is provided in the housing to receive sensors which have been separated from the reel.
- 35
12. A test device as claimed in claim 11, wherein the container is removable from the housing.
13. A test device as claimed in any one of the preceding claims, wherein the meter is housed in a



housing and the reel is provided in a removable cartridge which is mounted in relation to the housing.

14. A cartridge for releasably mounting in relation to  
5 the housing of a test device in accordance with claim  
13, comprising a plurality of sensors on a reel, each  
of said sensors carrying reagent means for producing an  
electrical signal in response to the concentration of  
10 analyte in an applied fluid, and each of said sensors  
having a plurality of electrodes, corresponding  
electrodes of adjacent sensors being connected together  
by a conductive track on the reel.

15. A cartridge as claimed in claim 14, further  
15 including a mechanism for unwinding and advancing the  
reel when the cartridge is mounted in the housing of a  
test device.

16. A cartridge as claimed in claim 14 or claim 15,  
20 further including storage means for storing used  
sensors.

17. A cartridge for releasably mounting in relation to  
the housing of a test device in accordance with claim  
25 13, substantially as herein described with reference to  
or as shown in the drawing.

18. A test device substantially as herein described  
with reference to or as shown in the drawing.

1/14

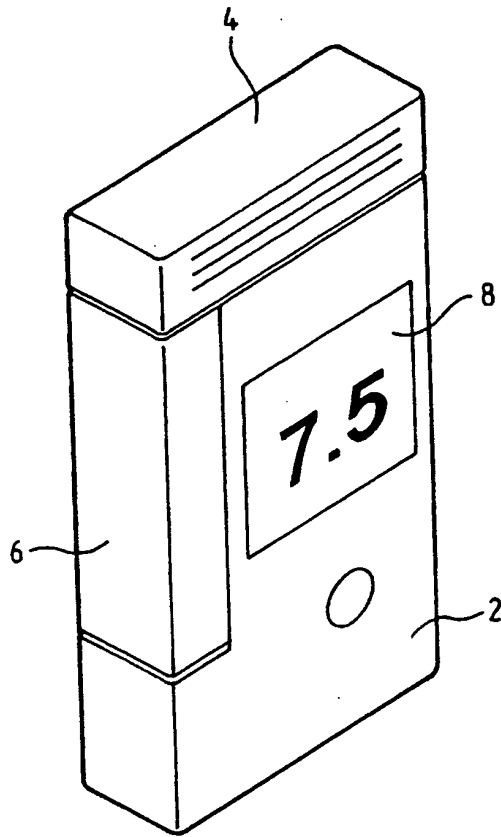


Fig. 1

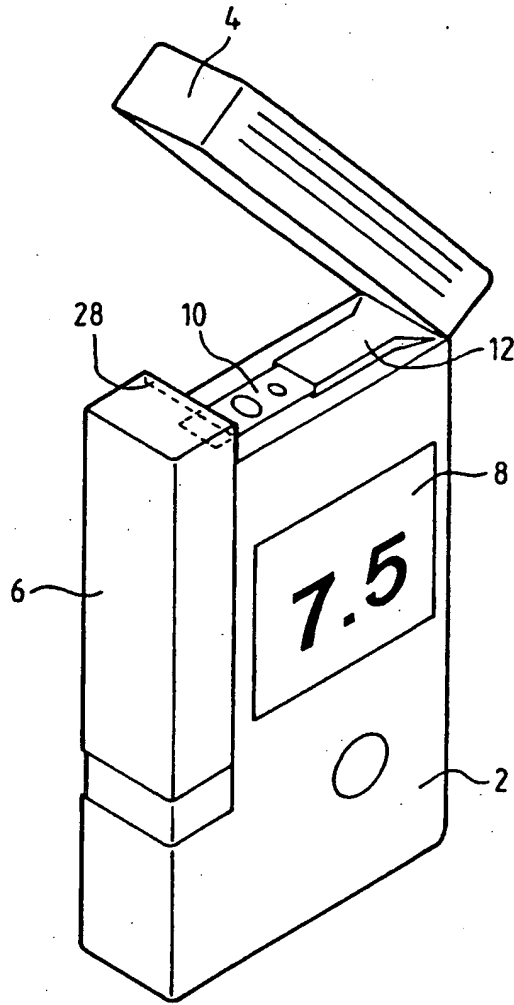


Fig. 2

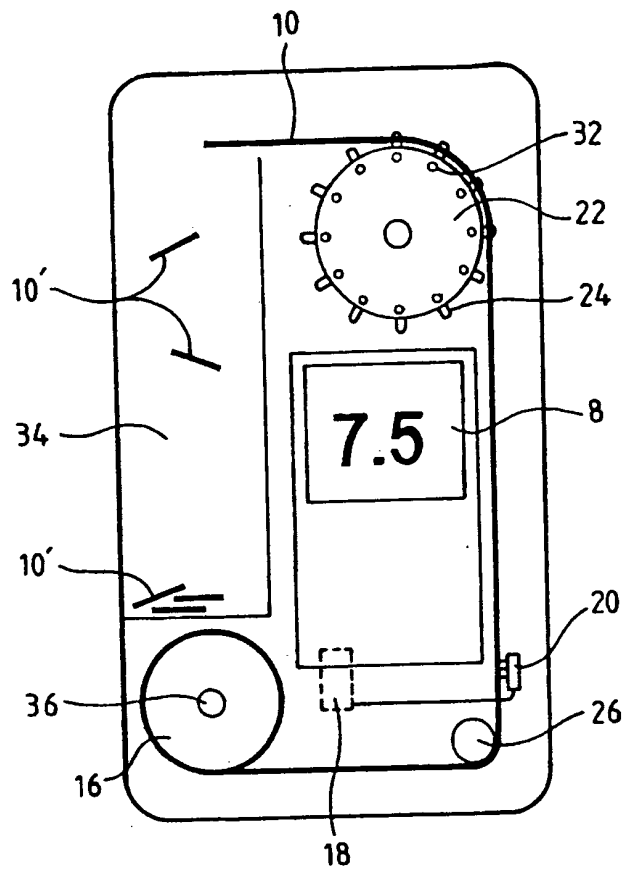


Fig. 3

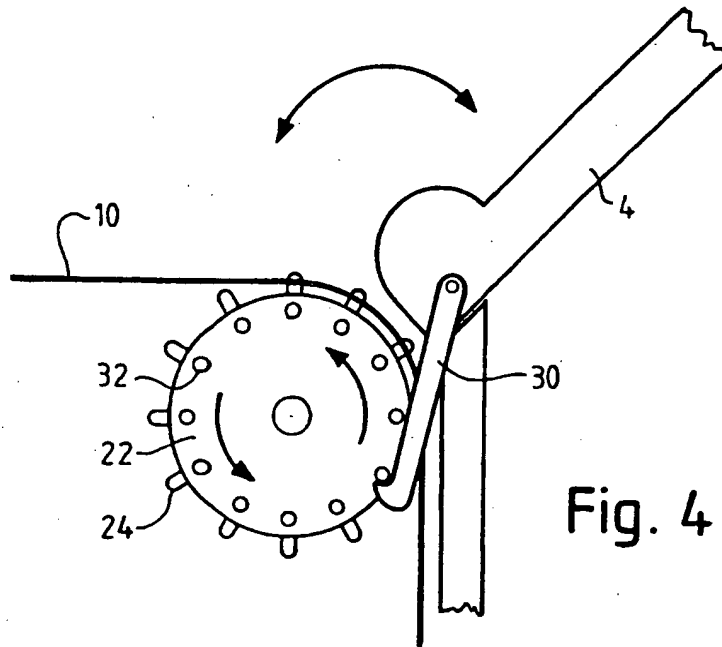


Fig. 4

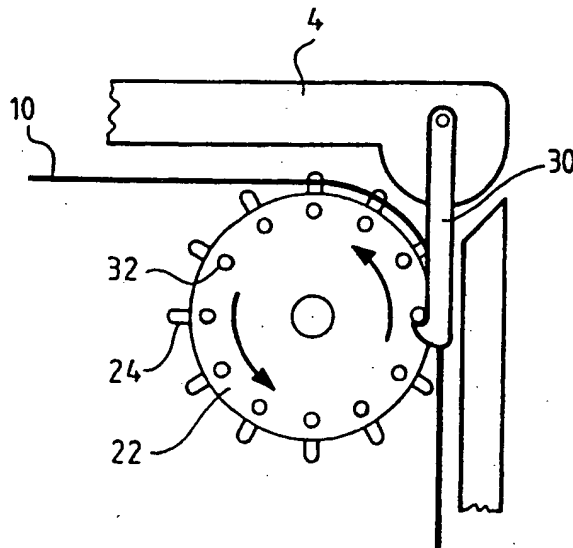


Fig. 5

5/14

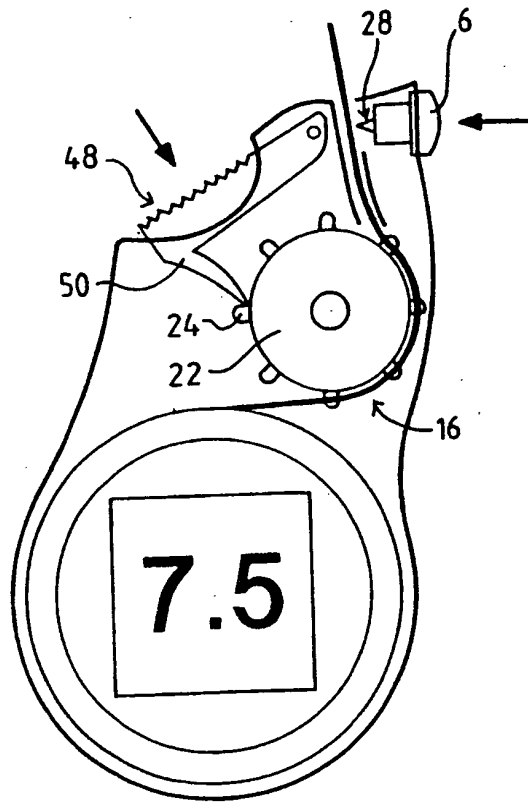


Fig. 6

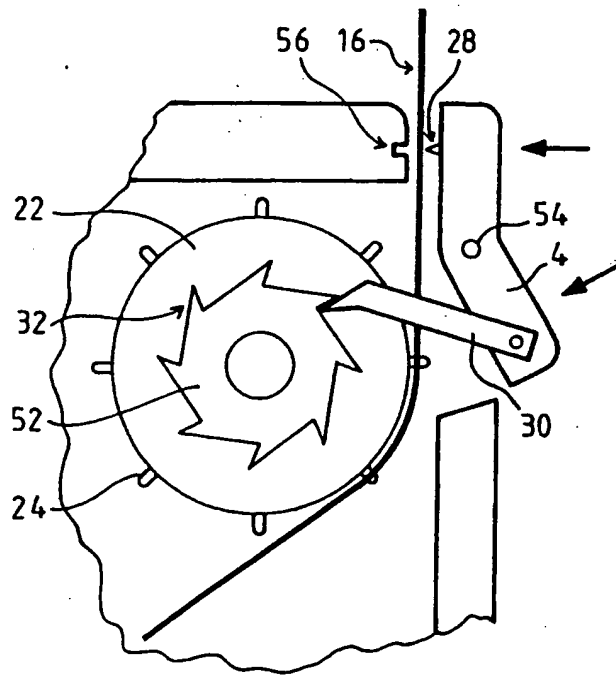


Fig. 7

7/14

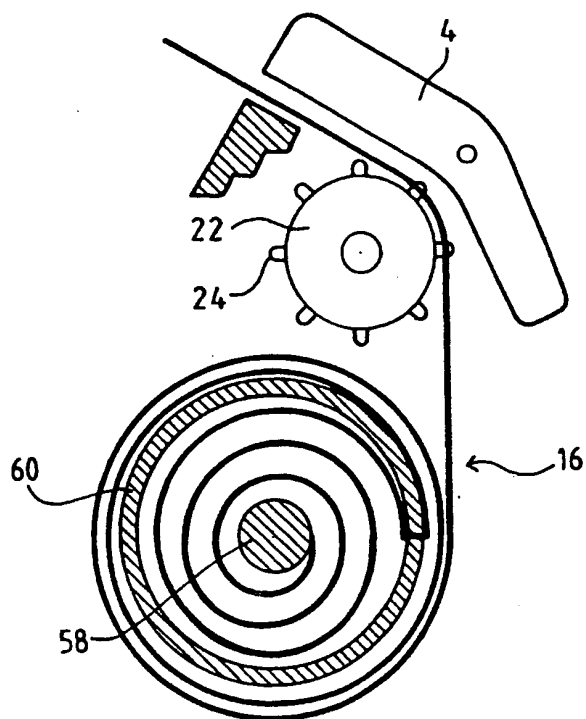


Fig. 7a



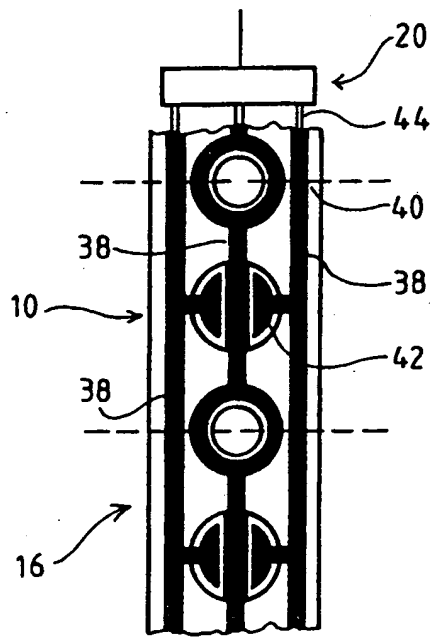


Fig. 8

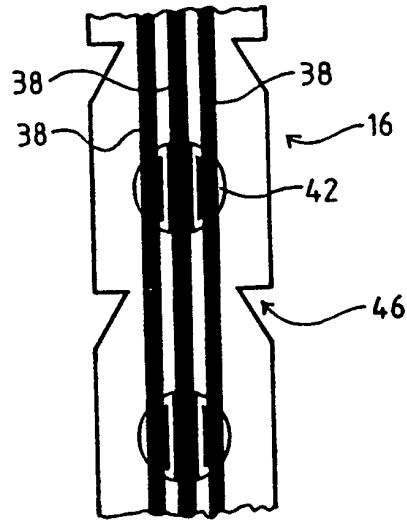


Fig. 9

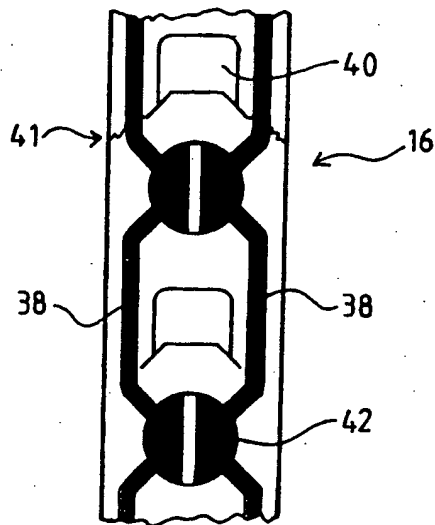


Fig. 10

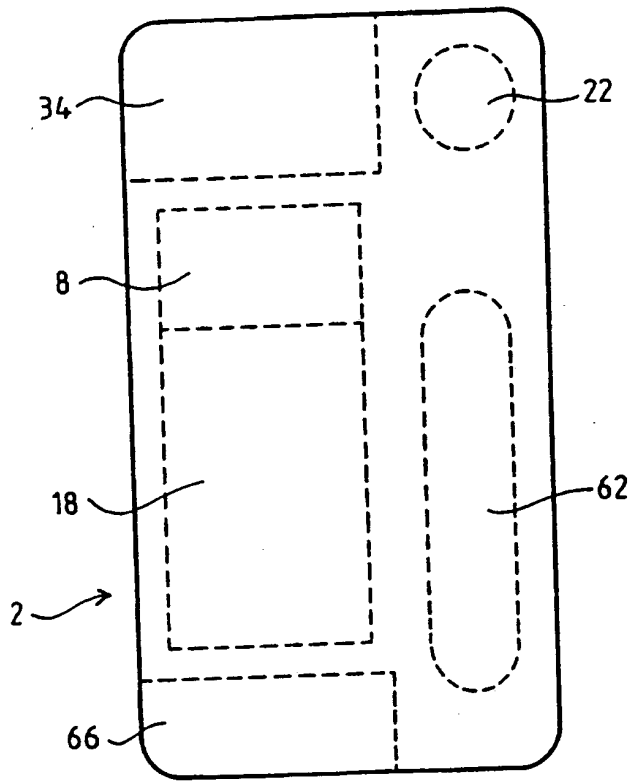


Fig. 11

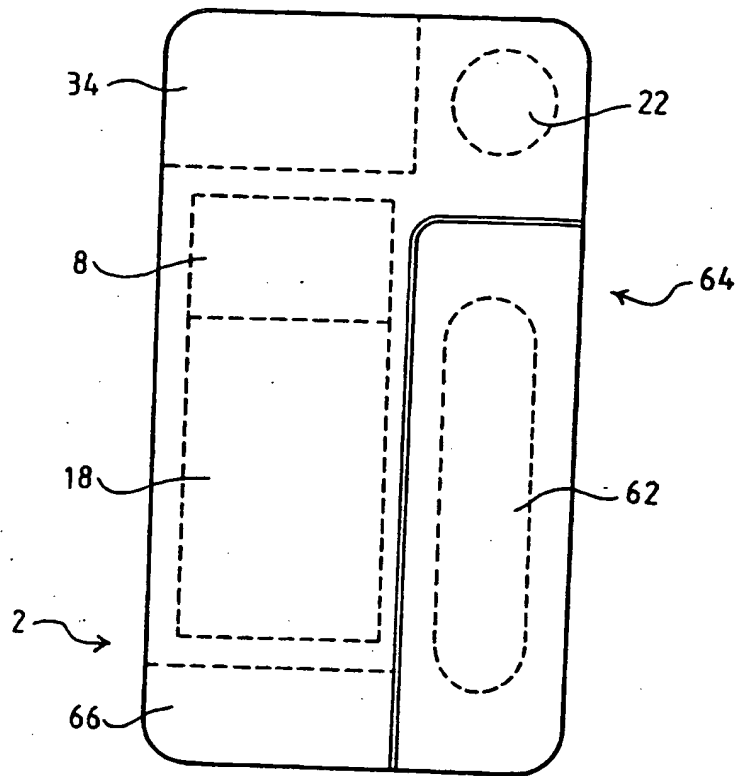


Fig. 12

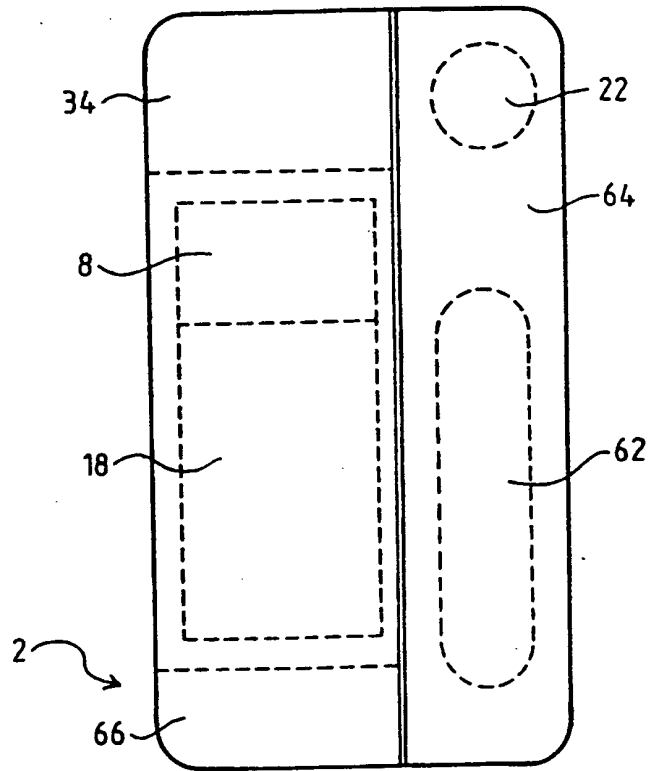


Fig. 13

14 / 14

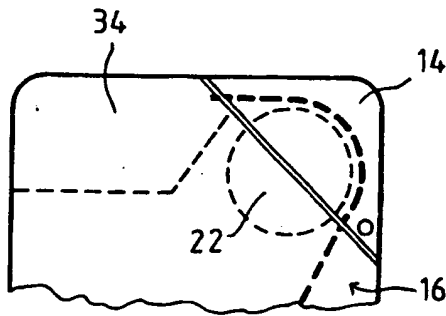


Fig. 14 a

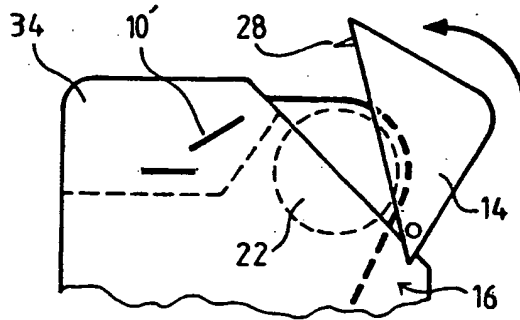


Fig. 14 b

# INTERNATIONAL SEARCH REPORT

International Application No  
PCT/GB 99/03004

**A. CLASSIFICATION OF SUBJECT MATTER**  
IPC 7 G01N33/487 G01N27/26 G01N27/416 G01N27/56

According to International Patent Classification (IPC) or to both national classification and IPC

**B. FIELDS SEARCHED**

Minimum documentation searched (classification system followed by classification symbols)  
IPC 7 G01N

Documentation searched other than minimum documentation to the extent that such documents are included in the fields searched

Electronic data base consulted during the international search (name of data base and, where practical, search terms used)

**C. DOCUMENTS CONSIDERED TO BE RELEVANT**

Category	Citation of document, with indication, where appropriate, of the relevant passages	Relevant to claim No.
X	US 5 395 504 A (SAURER ERIC ET AL) 7 March 1995 (1995-03-07) abstract column 1, line 23 - line 30  column 2, line 42 - line 49 column 3, line 35 - line 61 column 4, line 9 - line 16 column 5, line 64 - column 6, line 22 column 7, line 25 - line 31 column 8, line 16 - line 36 claims 6,10,16,17,25,28 figures 12,13	1,3-5
Y		2,7,14

Further documents are listed in the continuation of box C.

Patent family members are listed in annex.

\* Special categories of cited documents :

- \*A\* document defining the general state of the art which is not considered to be of particular relevance
- \*E\* earlier document but published on or after the international filing date
- \*L\* document which may throw doubts on priority claim(s) or which is cited to establish the publication date of another citation or other special reason (as specified)
- \*O\* document referring to an oral disclosure, use, exhibition or other means
- \*P\* document published prior to the international filing date but later than the priority date claimed

- \*T\* later document published after the international filing date or priority date and not in conflict with the application but cited to understand the principle or theory underlying the invention
- \*X\* document of particular relevance; the claimed invention cannot be considered novel or cannot be considered to involve an inventive step when the document is taken alone
- \*Y\* document of particular relevance; the claimed invention cannot be considered to involve an inventive step when the document is combined with one or more other such documents, such combination being obvious to a person skilled in the art.
- \*A\* document member of the same patent family

Date of the actual completion of the international search

5 June 2000

Date of mailing of the international search report

14/06/2000

Name and mailing address of the ISA

European Patent Office, P.B. 5818 Patentlaan 2  
 NL - 2280 HV Rijswijk  
 Tel. (+31-70) 340-2040, Tx. 31 651 epo nl.  
 Fax: (+31-70) 340-3016

Authorized officer

Angelié, E



## INTERNATIONAL SEARCH REPORT

Internat'l Application No  
PCT/GB 99/03004

C.(Continuation) DOCUMENTS CONSIDERED TO BE RELEVANT		
Category	Citation of document, with indication, where appropriate, of the relevant passages	Relevant to claim No.
Y	US 5 525 297 A (DINGER RUDOLF ET AL) 11 June 1996 (1996-06-11) abstract column 1, line 64 - column 2, line 1 column 2, line 45 - line 61 column 4, line 40 - line 65 column 5, line 24 - line 28 figures 1,2,4,5	2,7,14
A	EP 0 373 413 A (DAIKIN IND LTD) 20 June 1990 (1990-06-20) abstract page 6, line 54 - page 7, line 31 page 8, line 13 - page 9, line 3 page 12, line 57 - page 13, line 3 page 13, line 51 - line 58 claim 7 figures 2,5	6,8,10, 11
A	US 5 797 693 A (JAEGER GERARD) 25 August 1998 (1998-08-25) abstract column 2, line 9 - line 21 column 2, line 52 - column 3, line 7 column 4, line 39 - line 41	12,13, 15-17
A	EP 0 732 590 A (BAYER AG) 18 September 1996 (1996-09-18) abstract column 2, line 25 - line 53 column 6; line 1 - line 13 claims 1,2	12-17
A	US 5 407 554 A (SAURER ERIC) 18 April 1995 (1995-04-18) abstract column 2, line 26 - line 56 column 6, line 54 - line 67 column 10, line 1 - line 13	12-17

# INTERNATIONAL SEARCH REPORT

information on patent family members

International Application No

PCT/GB 99/03004

Patent document cited in search report	Publication date	Patent family member(s)	Publication date
US 5395504 A	07-03-1995	FR 2701117 A	05-08-1994
		AU 667152 B	07-03-1996
		AU 5487394 A	11-08-1994
		CA 2114685 A	05-08-1994
		DE 69411963 D	03-09-1998
		DE 69411963 T	12-05-1999
		EP 0609760 A	10-08-1994
		ES 2122049 T	16-12-1998
		JP 6294769 A	21-10-1994
US 5525297 A	11-06-1996	FR 2710411 A	31-03-1995
		AU 681423 B	28-08-1997
		AU 7303194 A	06-04-1995
		CA 2132382 A	22-03-1995
		DE 69422111 D	20-01-2000
		EP 0644423 A	22-03-1995
		JP 7167820 A	04-07-1995
EP 0373413 A	20-06-1990	JP 2018955 C	19-02-1996
		JP 2049153 A	19-02-1990
		JP 7052170 B	05-06-1995
		US 5228972 A	20-07-1993
US 5797693 A	25-08-1998	FR 2733745 A	08-11-1996
		AU 709712 B	02-09-1999
		AU 5193196 A	14-11-1996
		CA 2175427 A	03-11-1996
		EP 0740960 A	06-11-1996
		JP 9021811 A	21-01-1997
EP 0732590 A	18-09-1996	US 5630986 A	20-05-1997
		AU 706347 B	17-06-1999
		AU 4098696 A	26-09-1996
		CA 2167109 A	15-09-1996
		JP 8262026 A	11-10-1996
		US 5854074 A	29-12-1998
US 5407554 A	18-04-1995	FR 2705150 A	18-11-1994
		AU 669060 B	23-05-1996
		AU 6195094 A	17-11-1994
		CA 2122690 A	11-11-1994
		EP 0624653 A	17-11-1994
		JP 6331591 A	02-12-1994